

OWNER'S OPERATION MANUAL

HK
HECKLER & KOCH

NO COMPROMISE

USP®
CO₂ Air Pistol



READ THIS OWNER'S MANUAL COMPLETELY. This airgun is not a toy. Treat it with the same respect you would a firearm. Always carefully follow the safety instructions found in this owner's manual and keep this manual in a safe place for future use.

⚠ WARNING: NOT A TOY. ADULT SUPERVISION REQUIRED. MISUSE OR CARELESS USE MAY CAUSE SERIOUS INJURY OR DEATH. MAY BE DANGEROUS UP TO 275 YARDS (251 METERS).

THIS IS A HIGH POWERED AIRGUN FOR USE BY THOSE 16 YEARS OF AGE OR OLDER. READ ALL INSTRUCTIONS BEFORE USING. THE PURCHASER AND USER SHOULD CONFORM TO ALL LAWS GOVERNING THE PURCHASE, USE AND OWNERSHIP OF AIRGUNS.

EN	Owner's manual	2 – 13
FR	Manuel du propriétaire	14 – 25
ES	Manual de operación del usuario	26 – 37



SAFETY INSTRUCTIONS



DESCRIPTION



OPERATION



CARE





SAFETY INSTRUCTIONS

EN

⚠ WARNING This airgun can cause serious injury or death. Read and follow the owner's manual carefully. Do not load a projectile into the airgun until you are ready to shoot. If you do load a projectile and then decide not to shoot, remove it either manually or by shooting the airgun at a safe target. An unloaded airgun which is "ON SAFE" is safest. Accidents happen fast, please handle the airgun safely.

Airguns differ in their operation and you are never ready to fire any gun until you are thoroughly familiar with it. Read the following owner's manual thoroughly prior to operating.

These symbols and safety signal words, , , **NOTICE**, mark warnings, cautions, and notices in this operation manual. Carefully follow them for your own safety and the safety of others.

⚠ WARNING Failure to follow the instructions and recommendations in this owner's manual may result in bodily injury including face, eye, and ear injury, blindness, deafness or death.



**EYE PROTECTION
REQUIRED
WEAR YOUR
SHOOTING GLASSES**

Operating Procedures

1. Reviewing Safety
2. Learning the Parts of Your Airgun
3. Operating the Safety
4. Installing and Removing CO₂ Capsules
5. Loading and Unloading Projectiles
6. Aiming and Firing Safely
7. Use and Handling of CO₂ Capsules
8. Maintaining Your Airgun
9. Trouble Shooting
10. Repair / Service / Warranty



1. Reviewing Safety

- You and others with you **MUST** wear shooting glasses to protect your eyes. If you wear reading glasses the lenses must be certified for impact resistance or you should wear safety glasses intended for use over normal optical reading glasses.
- Always aim in a **SAFE DIRECTION**. Always keep the muzzle of the airgun pointed in a **SAFE DIRECTION**. A **SAFE DIRECTION** is defined as always pointing the airgun and/or the muzzle of the airgun in a direction, in which if it were to discharge, it would not cause any injury or damage. Controlling where the muzzle or front of the barrel is pointed at all times, is very important.
- Always keep your finger off the trigger and out of the trigger guard until ready to shoot.
- Never point the airgun at anything you do not intend to shoot.
- Always treat the airgun as though it is loaded and with the same respect you would a firearm.
- Never look down the barrel of an airgun.
- Always keep the airgun “ON SAFE” until you are ready to shoot.
- Always check to see if the airgun is “ON SAFE” and unloaded when getting it from another person or from storage.
- Use only the proper size and type of projectile as it is marked on the airgun.
- Never reuse ammunition.
- Do not shoot at hard surfaces or at the surface of water. The BB may bounce off or ricochet and hit someone or something you had not intended to hit.
- Do not shoot at fragile objects such as windows.
- Place the backstop in a location that will be safe should the backstop fail.
- Your backstop should be checked for wear before and after each use. All backstops are subject to wear and will eventually fail. Replace your backstop if the surface is worn or damaged or if a ricochet occurs.
- Do not attempt to disassemble or tamper with your airgun. Unauthorized repairs or modifying the function of your airgun in any way may be unsafe and will void your warranty.
- Before you store your airgun, make sure it is unloaded, the CO₂ capsule is removed, and is “ON SAFE.”
- Always store your airgun in a secure location away from unauthorized users and separate from ammunition.

⚠ WARNING Do not brandish or display this airgun in public – it may confuse people and may be a crime. Police and others may think it is a firearm. This could cause aggressive action that could lead to your death. Do not change the coloration and markings to make it look more like a firearm.



2. Learning the Parts of Your Airgun





⚠ WARNING Be sure the airgun is always pointed in a safe direction. Never point the airgun at any pet or person even if it is unloaded. Always assume and handle the airgun as if it were loaded and ready to fire.

3. Operating the Safety

⚠ CAUTION

Like all mechanical devices, an airgun safety can fail. Even when the safety is "ON SAFE", you should continue to handle the airgun safely. Never point the airgun at anything you do not intend to shoot.



⚠ CAUTION

Never load the magazine until you have verified the airgun will discharge CO₂ properly. (See **Step 4. Installing and Removing CO₂ Capsules**)

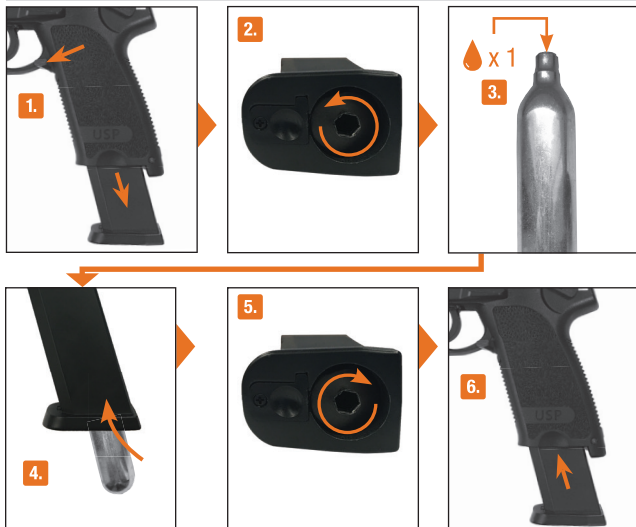
⚠ WARNING Use only 12g CO₂ capsules. Any attempt to use other types of gas capsules could be extremely dangerous and could result in serious injury or death. Gases other than CO₂ could result in an explosion or rupture of the airgun.



4. Installing and Removing CO₂ Capsules

⚠ CAUTION

Keep hands and face away from escaping CO₂ gas. It can cause frostbite if allowed to come in contact with skin. Always make sure the CO₂ capsule is empty before attempting to remove it from the airgun by slowly turning the gas capsule puncture screw counter-clockwise all the way until you no longer hear the escape of CO₂ gas.



1. Put the airgun "ON SAFE" (See **Step 3**) and press the magazine release to remove magazine.
2. Open piercing screw using Allen key.
3. Apply a drop of RWS Air Chamber Lube to CO₂ capsule.
4. Insert CO₂ capsule as shown.
5. Turn capsule piercing screw clockwise until you hear the CO₂ capsule being pierced.
6. Insert magazine.

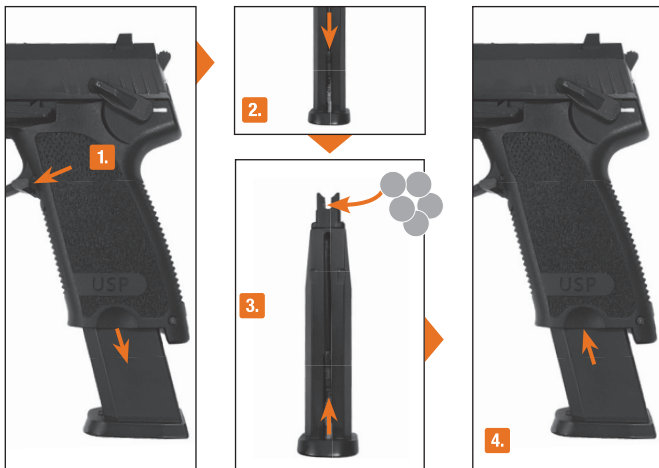
If the airgun does not make a popping noise after pulling the trigger, the CO₂ is not being discharged. In that event put the airgun "ON SAFE" (See **Step 3**), remove the backstrap and turn the CO₂ puncture screw clockwise until you hear the CO₂ capsule pierce.



NOTE: A slight seepage of CO₂ may occur until piercing screw is tight.

NOTICE Never try to force any CO₂ capsule into or out of place. Do not store your airgun with a CO₂ capsule in it. If you know you will not be using your airgun for an extended period of time, empty the CO₂ capsule and remove it from the airgun. This is very important to remember, as it will prolong the longevity of your airgun seals.

5. Loading and Unloading Projectiles



1. Put the airgun "ON SAFE" (See **Step 3**), point the airgun in a SAFE DIRECTION, and press the magazine release to remove magazine.
2. Pull down and lock BB Follower.
3. Load BBs and release BB Follower slowly.
4. With the safety still "ON SAFE", insert magazine.



CAUTION

Use only .177 caliber (4,5 mm) steel BBs. Do not attempt to reuse BBs that have been fired or are deformed. Do not use buck shot, darts, ball bearings, or other foreign objects because they can cause injury to you, or cause injury to someone else, or may damage and/or jam the airgun.

**⚠ CAUTION**

Never assume that because the airgun no longer fires a projectile and/or the magazine is removed from the grip frame that a projectile is not lodged in the barrel. Always treat the airgun as though it is loaded and with the same respect you would a firearm.

IMPORTANT: Firing the airgun with too little gas pressure left may cause a BB to get stuck in the barrel.

⚠ CAUTION

You and others with you should always wear shooting glasses to protect your eyes. Always make sure that the muzzle points into a safe direction.

Removing a Jammed BB

- Make sure the airgun is “ON SAFE”. (See **Step 3**)
- Remove the magazine by pressing down on the magazine release button.
- Remove the CO₂ capsule. (See **Step 4**)
- Insert a .177 caliber ramrod into the muzzle end of the barrel and carefully push the jammed BB into the breech. The barrel could be damaged and the warranty will be void if the proper sized ramrod is not used.
- Hold the airgun upright and shake until the jammed BB falls out.
- If you are not able to unjam your airgun by following this procedure, take no further action. Call Umarex USA (479)-646-4210 and ask for the service department.

Decocking**⚠ CAUTION**

Your backstop should be inspected for wear before and after each use. Discontinue use if the backstop surface shows signs of failure. Always place the backstop in a location that will be safe should the backstop fail. Discontinue the use of a backstop if the projectile rebounds or ricochets.

NOTE: Many factors affect airgun performance and velocity, including brand of projectile, lubrication, barrel condition and temperature.



⚠ WARNING You and others with you should always wear shooting glasses to protect your eyes.

6. Aiming and Firing Safely

⚠ CAUTION

The slide blows back, meaning it shifts rearward. Keep hands and fingers away from pinch points.



⚠ CAUTION

Do not shoot at hard surfaces or the surface of water. Projectiles may bounce off or ricochet and hit someone or something you had not intended to hit.

Do not shoot at fragile surfaces such as glass or mirrors.

- Always aim your airgun in a SAFE DIRECTION. When you are sure of your target and backstop, and the area around the target is clear, take "OFF SAFE" (See **Step 3**) and squeeze the trigger to fire.
- Always choose your target carefully. Only targets which cannot be completely penetrated or which will not cause ricochets should be used.
- Your backstop should be checked for wear before and after each use. Replace your backstop if the surface is worn or damaged, or if a ricochet occurs.
- The airgun is correctly aimed when the front sight blade is positioned exactly in the notch and even with the rear sight. The top of the front sight blade should be even with the top of the notch in the rear sight. The bullseye should appear to rest on the top of the front sight.





⚠ WARNING CO₂ capsules may explode at temperatures above 122° F. Do not mutilate or incinerate them. Do not expose them to heat or store CO₂ capsules at temperatures above 122°F.

⚠ CAUTION

Never attempt to reuse a CO₂ capsule for any purpose.

Always check to make sure the airgun is unloaded when getting from storage or from another person.

7. Use and Handling of CO₂ Capsules

It is possible that certain conditions may affect a CO₂ capsule, which can impact its proper performance. These conditions include the usage, maintenance and storage at temperatures that are higher or lower than normal outdoors temperatures (60°-80° F/16°-27° C). Another condition may be when the airgun is fired rapidly.

1. High temperatures can increase pressure in the CO₂ capsule and also within the airgun, leading to higher than standard operating pressure. This excess pressure could cause the gun to malfunction or be permanently damaged. Maximum storage or operation temperature should never exceed 122°F (50°C). This temperature can be reached if you leave the airgun under direct sunlight on a bright day. Thus, to ensure proper gun operation, do not expose it to high temperatures or direct sunlight for long periods of time. Otherwise, the CO₂ capsule could overheat and explode, which could damage the airgun and cause injuries or death to people around it.
2. Fast consecutive shooting may produce a decrease of temperature in the airgun, as well as the CO₂ capsule. This could result in lower projectile velocities and may even lower gas pressure enough so that the pistol will not fire. This condition can be especially apparent when shooting in cold weather and can be avoided by allowing more time between shots. This permits the gas to increase in temperature and pressure and produce normal velocities.
3. During rapid fire, the muzzle velocity of each shot will diminish. This can affect shooting accuracy and you will get fewer shots per CO₂ capsule.
4. Care should be exercised to insure that the airgun is not shot with a CO₂ capsule that is low in pressure. Here are some indicators of insufficient pressure:
 - A) The sound of the shot is not as loud as when the capsule is full.
 - B) The projectile hits the target, but in a lower position than it would with a full CO₂ capsule (that is, the shooting speed has dropped).



⚠ WARNING An airgun that is not operating properly may be dangerous. It should be kept safely from use by anyone until repaired or destroyed. Do not try to take the airgun apart. It is difficult to reassemble and improper disassembly or reassembly can cause serious injury or death.

⚠ CAUTION

Before any care, cleaning or maintenance, always be sure your airgun is unloaded. Keep pointed in a safe direction. It is important to perform routine inspections and maintain your airgun properly.

8. Maintaining Your Airgun

With care and routine inspections your airgun will provide many sessions of shooting enjoyment. Abuse, neglect and continued exposure to the elements will impair the performance of any airgun. To ensure continued proper function, apply 1 to 2 drops of RWS Spring Cylinder oil onto all moving parts such as the BB Follower, gas capsule piercing knob and the trigger hinge (1000 shots).

NOTICE Oils that contain acid or resin can damage seals and possibly the finish of the airgun.

9. Trouble Shooting	Poor firing performance	Airgun does not function	Low velocity
CO ₂ capsule is empty	●	●	●
CO ₂ capsule is defective		●	
Extreme temperature	●		●
Incorrect projectiles	●	●	●

10. Repair / Service / Warranty

Do not return defective or damaged product to the dealer. If your airgun needs repair, call Umarex USA (479) 646-4210 and ask for the Service Department or visit www.umarexusa.com. DO NOT ATTEMPT TO DISASSEMBLE IT! Your airgun requires special tools and fixtures to repair it. Any disassembly or modification not performed by Umarex USA will void the warranty.



⚠ CAUTION

The components of this airgun were engineered and manufactured to deliver optimum performance. Any modification or tampering with an airgun may cause a malfunction, void your warranty and may make it unsafe to use. Any change in performance (such as a lowered trigger pull force and shortened trigger travel) indicates possible modification, tampering and/or wear. Such airgun should be inspected, replaced, or properly repaired by only qualified Umarex USA personnel. Any airgun that has been dropped should be checked by qualified personnel to ensure that its function has not been affected.

90 DAY LIMITED WARRANTY

This product is warranted to the retail consumer for 90 days from the date of purchase against defects in material and workmanship and is not transferable.

WHAT IS COVERED

Replacement parts and labor.

WHAT IS NOT COVERED

Shipping charges to Umarex USA for defective product and damages caused by abuse or failure to perform normal maintenance as well as any other expense. Consequential damages, or incidental expenses, including damage to property. Some states do not allow the exclusion or limitation of incidental or consequential damages, so the above limitation or exclusion may not apply to you.

WARRANTY CLAIMS

Warranty Claims and Repair for U.S. and Canadian customers only. Call Umarex USA (479)-646-4210 and ask for the Service Department. If it is determined a return is necessary, you will be issued a Return Authorization Number. Write this number boldly on the box and return the product prepaid to Umarex USA (Canadian customers will be provided with the address of an authorized Canadian Repair Facility). Your name, address, phone number and a note explaining the defect found must be included in the package. A copy of the original dated cash register receipt must accompany the return. U.S. customers, include a check made to Umarex USA in the amount provided by Umarex USA's service department to cover shipping and handling.

IMPLIED WARRANTIES

Any implied warranties, including the implied warranties of merchantability and fitness for a particular purpose, are limited in duration to 90 days from date of retail purchase. **SOME STATES DO NOT ALLOW LIMITATIONS ON HOW LONG IMPLIED WARRANTY LASTS, SO THE ABOVE LIMITATIONS MAY NOT APPLY TO YOU. TO THE EXTENT ANY PROVISION OF THIS WARRANTY IS PROHIBITED BY FEDERAL, STATE, OR MUNICIPAL LAW; WHICH CANNOT BE PREEMPTED, IT SHALL NOT BE APPLICABLE. THIS WARRANTY GIVES YOU SPECIFIC LEGAL RIGHTS, AND YOU MAY ALSO HAVE OTHER RIGHTS, WHICH VARY FROM STATE TO STATE AND COUNTRY TO COUNTRY.**

EN	Owner's manual	2 – 13
FR	Manuel du propriétaire	14 – 25
ES	Manual de operación del usuario	26 – 37



INSTRUCTIONS DE SÉCURITÉ



DESIGNATION



EMPLOI



ENTRETIEN

LISEZ COMPLÈTEMENT CE MANUEL DU PROPRIÉTAIRE. Traitez-le avec le même respect que celui attribué à une arme à feu. Suivez toujours avec soin les instructions concernant la sécurité contenues dans le manuel du propriétaire et conservez ce manuel dans un endroit sûr pour vous y référer dans l'avenir.



⚠ AVERTISSEMENT LE PISTOLET À AIR DE GLOCK™ PAS UN JOUET. LA SUPERVISION D'UN ADULTE EST NÉCESSAIRE. UN MAUVAIS USAGE OU UN USAGE IMPRUDENT PEUVENT CAUSER DES BLESSURES GRAVES OU LA MORT. PEUT ÊTRE DANGEREUX JUSQU'À 251 MÈTRES (275 VERGES).

Des personnes âgées de 16 ans ou plus. Lisez toutes les instructions avant d'utiliser cette arme. L'acheteur et l'utilisateur devraient se conformer à toutes les lois concernant l'achat, l'utilisation et la possession d'armes à air. Lisez bien le manuel du propriétaire inclus avant de charger et d'utiliser votre arme à air GLOCK™. Protection oculaire nécessaire.



⚠ AVERTISSEMENT Ce pistolet à air peut causer des blessures graves ou la mort. Lisez bien le manuel du propriétaire et suivez les instructions. Ne chargez pas l'arme avant d'être prêt à tirer. Si vous placez un projectile dans l'arme puis décidez de ne pas tirer, enlevez-le de l'arme manuellement ou en tirant vers une cible sécuritaire. Un pistolet à air déchargé et non armé, en position "ON SAFE", est le plus sécuritaire. Les accidents se produisent rapidement. S.V.P., tirez avec prudence.

Les armes à air ont un mode de fonctionnement différent et vous n'êtes jamais prêt à faire feu à l'aide d'une arme avant de vous être familiarisé avec son fonctionnement. Lisez le manuel du propriétaire attentivement avant l'utilisation.

Ces symboles et ces termes d'avertissement,   **NOTIFICATION**, indiquent des avertissements, des mises en garde et des recommandations dans ce manuel de fonctionnement. Suivez-les bien pour votre propre sécurité et celle des autres.

⚠ AVERTISSEMENT Le non-respect des instructions et des recommandations contenues dans le manuel du propriétaire peut avoir comme conséquences des blessures corporelles, incluant des blessures au visage, aux yeux et aux oreilles, la cécité, la surdité ou la mort.



**PROTECTION
OCULAIRE
NÉCESSAIRE

PORTEZ DES
LUNETTES DE TIR**

Consignes d'utilisation

1. Révision des règles de sécurité
2. Connaître les pièces de votre pistolet à air
3. Utiliser le cran de sûreté
4. Insérer et enlever les bouteilles de CO₂
5. Charger et décharger les projectiles
6. Viser et tirer en toute sécurité
7. Utiliser et manipuler les bouteilles de CO₂
8. Entretien de votre pistolet à air
9. Dépannage
10. Réparation / Service / Garantie



1. Révision des Règles de Sécurité

- Vous et ceux qui vous accompagnent DEVEZ porter des lunettes de tir pour protéger vos yeux. Si vous portez des lunettes pour lire, les lentilles doivent être conçues pour résister aux impacts ou vous devriez porter des verres de sécurité conçus pour une utilisation par-dessus vos lunettes de lecture.
- Visez toujours dans une DIRECTION SÉCURITAIRE. Gardez le canon pointé dans une DIRECTION SÉCURITAIRE. UNE DIRECTION SÉCURITAIRE est définie comme la direction vers laquelle vous devez toujours pointer l'arme et/ou son canon pour qu'elle ne cause aucune blessure et aucun dommage si cette arme venait à se décharger. Il est très important de contrôler en tout temps la direction vers laquelle le canon ou le bout de l'arme pointe.
- Ne pointez jamais votre pistolet vers une personne ou vers un objet sur lequel vous n'avez pas l'intention de tirer.
- Manipulez toujours votre pistolet à air comme s'il était chargé et avec le même respect pour la sécurité que si c'était une arme à feu.
- Ne regardez jamais dans le canon d'un pistolet à air.
- Maintenez toujours le cran de sûreté dans la position "ON SAFE" jusqu'à ce que vous soyez prêt à tirer.
- Vérifiez toujours si le cran de sûreté du pistolet est dans la position "ON SAFE" et déchargé lorsque vous le recevez d'une autre personne ou le sortez du remisage.
- Utilisez des projectiles du bon format convenant à votre pistolet à air.
- Ne réutilisez jamais des munitions.
- Ne tirez pas vers des surfaces dures ou vers la surface de l'eau. Le projectile peut rebondir ou effectuer un ricochet et frapper une personne ou quelque chose que vous ne vouliez pas atteindre.
- Ni tirez pas vers les surfaces fragiles comme des fenêtres.
- Placez toujours votre pare-balles dans une zone qui sera sécuritaire si le pare-balles est défectueux.
- Votre pare-balles devrait être inspecté pour y déceler de l'usure avant et après chaque session de tir. Tous les pare-balles peuvent s'user et éventuellement devenir défectueux. Remplacez votre pare-balles si sa surface est usée ou endommagée ou s'il se produit un ricochet.
- Ne tentez pas de démonter ou de faire des altérations à votre pistolet à air. Des réparations non autorisées ou des modifications quelles qu'elles soient au fonctionnement de votre pistolet à air peuvent être non sécuritaires et annulent la garantie.
- Avant de remiser votre pistolet à air, assurez-vous qu'il est déchargé, que la bouteille de CO2 est retirée et que le cran de sûreté est à la position "ON SAFE".
- Rangez toujours votre arme à air dans un endroit sécuritaire loin des personnes non-autorisées à l'utiliser et à l'écart des munitions.

⚠ AVERTISSEMENT

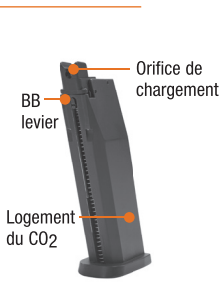
Ne brandissez pas et ne montrez pas votre pistolet à air en public. Les gens peuvent se méprendre et cela peut être un crime. Les policiers et d'autres personnes peuvent penser que c'est une arme à feu. Cela pourrait causer une réaction agressive qui pourrait entraîner la mort. Ne changez pas la couleur et les particularités de votre arme pour la faire ressembler à une arme à feu.



2. Connaître Les Pièces De Votre Pistolet À Air



Chargeur de
projectiles
"BB"





⚠ AVERTISSEMENT Assurez-vous que l'arme à air est toujours pointée dans une direction sécuritaire. Ne pointez jamais l'arme à air en direction d'un animal de compagnie ou d'une personne même si elle n'est pas chargée. Présumez toujours que l'arme à air est chargée, prête à faire feu et manipulez-la en conséquence.

3. Utiliser le cran de sûreté

⚠ ATTENTION

Comme tous les mécanismes, le cran de sûreté d'un pistolet à air peut faire défaut. Même lorsque le cran de sûreté est dans la position "ON SAFE", vous devriez continuer à manipuler le pistolet à air de façon sécuritaire. Ne pointez jamais le pistolet à air vers un objet sur lequel vous ne voulez pas tirer.



⚠ ATTENTION

Ne chargez jamais le chargeur avant d'avoir vérifié que le pistolet à air peut décharger le CO₂ de la bonne façon. (Voir **étape 4**. Insérer et enlever les Bouteilles de CO₂)

⚠ AVERTISSEMENT Toute tentative d'utiliser d'autres sortes de bouteilles de gaz peut être extrêmement dangereuse et pourrait avoir comme résultat des blessures graves ou la mort. Les gaz autres que le CO₂ peuvent causer une explosion ou un bris du pistolet.



4. Insérer et enlever les Bouteilles de CO₂

⚠ ATTENTION

Gardez les mains et le visage loin du gaz CO₂ qui s'échappe. Ce gaz peut causer des engelures s'il vient en contact avec la peau. Assurez-vous toujours que la bouteille de CO₂ est vide avant de tenter de l'enlever du pistolet à air en tournant lentement, jusqu'au bout, la molette servant à percer la bouteille, jusqu'à ce que vous n'entendiez plus le gaz CO₂ s'échapper.



1. Placer l'arme à air dans la position «ON SAFE» (voir étape 3) et pressez le levier de dégagement du chargeur pour enlever le chargeur.

2. Ouvrez l'accès à la vis de perforation en utilisant la clé hexagonale.

3. Mettez une goutte de lubrifiant "RWS Chamber Lube" sur la bouteille de CO₂.

4. Insérez la capsule de CO₂ comme indiqué.

5. Tournez la vis de perforation du CO₂ dans le sens des aiguilles d'une montre jusqu'à ce que vous entendiez la bouteille de CO₂ se percer.

6. Poussez le chargeur.

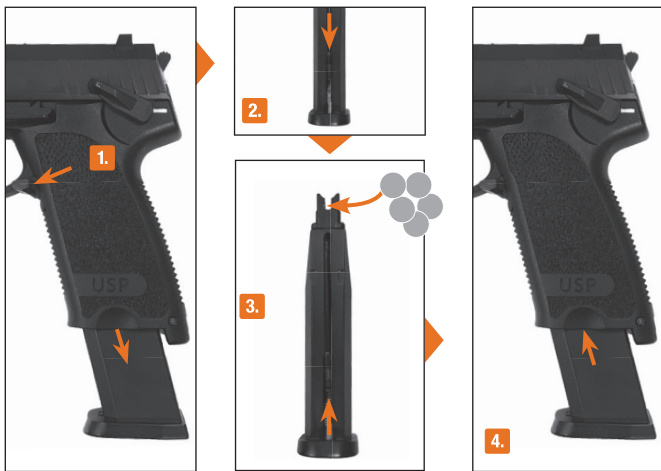
Si le pistolet à air ne produit pas un "pop" lorsque vous pressez la détente, le CO₂ n'est pas évacué. Si cela se produit, placez l'arme à air dans la position «ON SAFE» (voir **étape 3**), enlevez le dos de crosse et tournez la vis de perforation pour le CO₂ dans le sens des aiguilles d'une montre jusqu'à ce que vous entendiez le bruit qui indique que la bouteille de CO₂ est percée.



NOTEZ BIEN: Un faible écoulement de gaz CO₂ peut survenir jusqu'à ce que la molette de perforation soit serrée.

NOTIFICATION Ne tentez jamais d'insérer ou d'enlever la bouteille de CO₂ en la forçant. Ne rangez pas votre pistolet à air avec une bouteille de CO₂ à l'intérieur de celui-ci. Si vous savez que vous n'utiliserez pas votre pistolet à air durant une longue période, videz la bouteille de CO₂ et enlevez-la du pistolet à air. Il est important de vous en souvenir, car cela prolongera la durée des joints d'étanchéité de votre pistolet à air.

5. Charger et Décharger les Projectiles



1. Placez l'arme à air dans la position "ON SAFE" (voir **étape 3**), pointez l'arme à air dans une DIRECTION SÉCURITAIRE et pressez le levier de dégagement du chargeur pour enlever le chargeur.
2. Tirez l'arrêtoir vers le bas et verrouiller.
3. Introduisez les billes BB et libérez l'arrêtoir lentement.
4. Avec le cran de sûreté encore dans la position «ON SAFE», insérez le chargeur.

ATTENTION

Utilisez seulement des projectiles d'acier de calibre .177 (4,5 mm). Ne faites aucune tentative N'utilisez pas de chevrotine, de dards, de roulements à billes ou d'autres corps étrangers car ils pourraient vous causer des blessures, en causer à d'autres personnes ou endommager et/ou enrayer l'arme à air.





⚠ ATTENTION

Parce que le pistolet à air ne tire plus de projectile, ne présumez jamais qu'un projectile ne peut être coincé dans le canon. Considérez toujours le pistolet à air comme chargé et traitez-le avec le même respect que vous accorderiez à une arme à feu.

IMPORTANT: Il est possible qu'un projectile se coince dans le canon si vous tirez à l'aide du pistolet avec trop peu de pression dans la bouteille.

⚠ ATTENTION

Vous et les autres autour de vous devriez toujours porter des lunettes de tir pour protéger vos yeux. Assurez-vous toujours que le canon de l'arme pointe dans une direction sécuritaire.

Enlever un projectile coincé

- Assurez-vous que l'arme à air est dans la position "ON SAFE". (Voir **étape 3**)
- Retirez le chargeur en enfonçant le bouton de déblocage du chargeur.
- Enlevez la bouteille de CO₂. (Voir **étape 4**)
- Faites pénétrer une baguette de calibre 0,177 dans la bouche du canon et poussez avec prudence le projectile coincé vers la culasse pour l'enlever. Le canon peut être endommagé et la garantie sera annulée si vous n'utilisez pas une baguette du bon calibre.
- Tenez le pistolet droit et brassez-le jusqu'à ce que le projectile "BB" coincé tombe.
- Si vous ne pouvez pas désenrayer votre pistolet à air en effectuant cette démarche, ne faites rien d'autre. Appelez Umarex USA en composant le (479)-646-4210 et demandez le service.

Détendre le chien



⚠ ATTENTION

Votre pare-balles devrait être inspecté pour y détecter des signes d'usure avant et après chaque utilisation. N'utilisez plus votre pare-balles si sa surface montre des signes de faiblesse. Placez toujours le pare-balles dans un endroit qui sera sécuritaire si celui-ci vient qu'à être défectueux. N'utilisez plus votre pare-balles si un projectile rebondit ou s'il se produit un ricochet.

NOTEZ BIEN: Plusieurs facteurs peuvent influencer les performances d'une arme et la vitesse des projectiles, incluant la marque des projectiles, le type de projectiles, la lubrification, l'état du canon et la température.



AVERTISSEMENT Vous et les autres tireurs devriez toujours porter des lunettes de tir lorsque vous utilisez le pistolet.

6. Viser et Tirer en Toute Sécurité

ATTENTION

La glissière a un mouvement de recul ce qui signifie qu'elle se déplace vers l'arrière. Gardez les mains et les doigts loin des zones où il pourrait y avoir pincement.

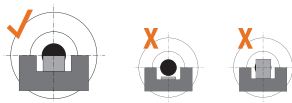


ATTENTION

Ne tirez pas vers des surfaces dures ou vers la surface de l'eau. Le projectile peut rebondir ou effectuer un ricochet et frapper une personne ou quelque chose que vous ne vouliez pas atteindre.

Ni tirez pas vers les surfaces fragiles comme le verre ou les miroirs.

- Pointez toujours votre pistolet à air dans une **DIRECTION SÉCURITAIRE**. Lorsque vous êtes certain de votre cible et de la sécurité de votre pare-balles et que la zone autour de la cible est libre, placez l'arme dans la position "OFF SAFE" (voir étape 3) et pressez la détente pour faire feu.
- Choisissez toujours votre cible avec précaution. Vous devriez utiliser seulement des cibles qui ne peuvent être transpercées complètement ou qui ne peuvent causer de ricochets.
- Votre pare-balles devrait être inspecté pour y déceler de l'usure avant et après chaque session de tir. Remplacez votre pare-balles si sa surface est usée ou endommagée ou s'il se produit un ricochet.
- Vous visez correctement avec votre pistolet à air lorsque la lame du guidon est exactement au centre du cran de mire. La partie supérieure de la lame du guidon devrait être égale à la partie supérieure de l'encoche du cran de mire. La cible devrait sembler reposer sur le dessus du guidon.





⚠ AVERTISSEMENT Les bouteilles de CO₂ peuvent exploser à des températures supérieures à 122o F. Ne les brisez pas et ne les incinerez pas. Ne les exposez pas à la chaleur ou ne rangez pas les bouteilles de CO₂ à des températures supérieures à 122o F.

⚠ ATTENTION

Ne tentez jamais de réutiliser une bouteille de CO₂ pour aucune raison.

Effectuez toujours une vérification pour vous assurer que le pistolet à air est déchargé lorsque vous le sortez du remisage ou lorsqu'une autre personne vous le donne.

7. Utiliser et Manipuler les Bouteilles de CO₂

Tenez toujours compte des avertissements inscrits sur les bouteilles de gaz propulseur lors de la manutention et du remisage. Il est possible que certaines conditions affectent une bouteille de CO₂, ce qui peut avoir un impact sur le rendement de celle-ci. Ces conditions comprennent CO₂, l'entretien et le remisage à des températures plus élevées ou plus basses que les températures normales que l'on retrouve en plein air (de 60o F/16o C à 80o F/27o C). Une autre de ces conditions survient lorsque le pistolet est déchargé rapidement.

1. Une très haute température peut faire augmenter la pression à l'intérieur de la bouteille de CO₂ et aussi dans le pistolet, ce qui a comme résultat une pression d'utilisation trop élevée. Cet excès de pression pourrait causer un mauvais fonctionnement ou des dommages permanents. La température maximale durant le remisage ou l'utilisation ne devrait jamais dépasser 122° F (50°C). Cette température peut être atteinte si vous laissez le pistolet au soleil durant une journée ensoleillée. Alors, pour être certain que le pistolet fonctionne bien, ne l'exposez pas à des températures élevées ou au soleil durant de longues périodes de temps. Sinon, la bouteille de CO₂ peut surchauffer et exploser, ce qui pourrait endommager le pistolet à air et blesser ou causer la mort des personnes à proximité.
2. Un tir nourri peut provoquer une diminution de température à l'intérieur de l'arme comme dans la bouteille de CO₂. Cela pourrait avoir comme conséquence une diminution de vitesse du projectile et peut même diminuer la pression du gaz suffisamment pour que le pistolet ne fasse pas feu. Cette condition se présente surtout lorsque vous utilisez le pistolet par temps froid et elle peut être évitée en laissant plus de temps entre chaque tir. Cela permet au gaz d'augmenter de température et de pression et permet une vitesse normale.
3. Lors d'un tir nourri, la vitesse du projectile au niveau de la bouche de l'arme diminuera. Cela peut affecter la précision de l'arme et vous pourrez tirer moins de projectiles avec chaque bouteille de CO₂.
4. Il faut vous efforcer de ne pas tirer avec le pistolet si la pression de la bouteille de CO₂ est basse. Voici quelques indices d'une pression insuffisante:
 - A) Le son produit lorsque vous tirez n'est pas aussi fort que lorsque la bouteille est pleine.
 - B) Le projectile frappe la cible, mais plus bas qu'il ne le ferait si la bouteille de CO₂ était pleine (donc, la vitesse du projectile a diminué).



⚠ AVERTISSEMENT Une arme à air qui ne fonctionne pas bien peut être dangereuse. Elle devrait être rangée sécuritairement et ne pas être utilisée jusqu'à ce qu'elle soit réparée ou détruite. Ne tentez pas de démonter cette arme à air. Elle est difficile à remonter et un démontage ou un montage fautif peuvent causer des blessures graves ou la mort.

⚠ ATTENTION

Avant de prodiguer des soins, d'entretenir ou de nettoyer votre pistolet, assurez-vous toujours qu'il n'est pas armé et qu'il est déchargé. Gardez votre arme pointée dans une direction sécuritaire. Il est important d'inspecter votre arme régulièrement et de l'entretenir correctement.

8. Entretien de votre pistolet à air

Grâce à un bon entretien et à des inspections régulières, votre pistolet à air vous fournira de nombreuses heures de tir remplies de plaisir. Un usage abusif, de la négligence et une exposition au soleil et à la pluie affecteront la performance de tout pistolet à air. Pour vous assurer d'un bon fonctionnement, appliquez 1 ou 2 gouttes d'huile "RWS Spring Cylinder Oil" sur toutes les pièces mobiles comme le levier et la vis servant à transpercer la bouteille de gaz et la charnière de la détente. (1000 coups).

NOTIFICATION Les huiles qui contiennent de l'acide ou de la résine peuvent endommager les joints et possiblement le fini du pistolet à air.

9. DÉPANNAGE	Mauvaises performances de tir	Le pistolet à air ne fonctionne pas	Manque de vitesse
Bouteille de CO ₂ vide	●	●	●
Bouteille de CO ₂ défectueuse		●	
Températures extrêmes	●		●
Mauvais projectiles	●	●	●

10. Réparation / Service / Garantie

Ne retournez pas un produit défectueux ou endommagé chez le détaillant. Si votre pistolet à air a besoin d'être réparé, appelez Umarex USA au (479) 646-4210 et demandez le service ou visitez le site: www.UmarexUSA.com. **NE TENTEZ PAS DE DÉMONTÉ VOTRE PISTOLET!** Des outils et des accessoires particuliers sont nécessaires pour réparer votre pistolet à air. Tout démontage ou toute modification qui n'est pas entrepris par Umarex USA annule la garantie.



⚠ ATTENTION

Les composantes de cette arme à air ont été conçues et fabriquées pour vous offrir des performances optimales. Toute modification ou altération d'une arme à air peut causer un mauvais fonctionnement, annuler la garantie et peut rendre son utilisation dangereuse. Tout changement des performances (comme un poids de départ plus bas ou une course moins longue de la détente) indique une modification possible, une altération et/ou de l'usure. Une telle arme devrait être inspectée, remplacée ou réparée adéquatement par le personnel qualifié d'Umarex USA uniquement. Toute arme à air qui a été échappée devrait être inspectée par du personnel qualifié pour vous assurer que son fonctionnement n'est pas altéré.

GARANTIE LIMITÉE DE 90 JOURS

Pour l'acheteur au détail, ce produit est garanti pour une période de 90 jours à partir de la date d'achat contre tout défaut de matériau ou de fabrication. Cette garantie n'est pas transférable.

CE QUI EST COUVERT PAR LA GARANTIE : Les pièces de remplacement et la main-d'œuvre.

CE QUI N'EST PAS COUVERT : Les frais de transport pour envoyer le produit défectueux à Umarex USA et les dommages causés par un usage abusif ou par un manque d'entretien en plus de toute dépense supplémentaire ou fortuite, tout dommage indirect comprenant le dommage à la propriété. Certains états ne permettent pas ces exclusions ou ces limites pour les dommages directs et indirects, donc les exclusions et les limites mentionnées peuvent ne pas s'appliquer.

DEMANDES DE RÉPARATION SOUS GARANTIE : Demandes de réparation sous garantie et réparation pour les clients des U.S.A et du Canada seulement. Communiquez par téléphone avec Umarex USA au (479)-646-4210 et demandez le service. Si nous jugeons qu'un retour du produit est nécessaire, vous obtiendrez un numéro d'autorisation de retour. Écrivez ce numéro en gros caractères sur le colis et retournez-nous le produit port payé à Umarex USA. (On donnera aux clients canadiens l'adresse d'une centre de service canadien agréé). Incluez dans l'envoi votre nom, votre adresse, votre numéro de téléphone et une note expliquant la défectuosité. Une copie du reçu de caisse original daté doit accompagner le produit retourné. Clients des É.-U., doivent inclure un chèque au nom d'Umarex USA au montant fourni par le service à la clientèle Umarex USA afin de couvrir les frais d'envoi et de manutention.

GARANTIE TACITE : Toute garantie tacite, comprenant la garantie tacite de qualité marchande et de convenance pour une utilisation particulière est limitée à une durée de 90 jours à partir de la date d'achat. CERTAINS ÉTATS NE PERMETTENT PAS DE LIMITER LA DURÉE DES GARANTIES TACITES, DONC LES LIMITES CI-DESSUS PEUVENT NE PAS S'APPLIQUER À VOUS. SI UNE PARTIE DE CETTE GARANTIE CONTREVIENT À UNE LOI FÉDÉRALE, PROVINCIALE OU MUNICIPALE QUI NE PEUT ÊTRE PRÉÉMPTÉE, ELLE NE SERA PAS APPLIQUABLE. CETTE GARANTIE VOUS DONNE DES DROITS LÉGAUX SPÉCIFIQUES ET VOUS POUVEZ AUSSI AVOIR D'AUTRES DROITS QUI PEUVENT VARIER D'UN ÉTAT À UN AUTRE ET D'UN PAYS À UN AUTRE.

EN	Owner's manual	2 – 13
FR	Manuel du propriétaire	14 – 25
ES	Manual de operación del usuario	26 – 37



INSTRUCCIONES DE SEGURIDAD



DESCRIPCIÓN



OPERACIÓN



CUIDADO

LEA COMPLETAMENTE ESTE MANUAL DE OPERACIÓN DEL USUARIO. Esta arma de aire comprimido no es un juguete. Trátela con el mismo respeto que trataría un arma de fuego. Siempre siga las instrucciones de seguridad encontradas en este manual del usuario y mantenga este manual en un lugar seguro para uso futuro.



⚠ ADVERTENCIA EL GLOCK™ ARMA DE AIRE NO ES UN JUGUETE. SE REQUIERE LA SUPERVISIÓN DE UN ADULTO. EL MAL USO O USO DESCUIDADO PUEDE CAUSAR SERIAS LESIONES O LA MUERTE. PUEDE SER PELIGROSO HASTA 275 YARDAS (251 METROS).

Ésta es un arma de aire comprimido de alto poder para uso de personas mayores de 16 años o más. Lea todas las instrucciones antes de usarse. El comprador o usuario debe de ajustarse a todas las leyes que regulan la compra, uso y posesión de armas de aire comprimido. Lea el manual de propietario con detalle antes de cargar su arma de aire GLOCK™. Se requiere protección de los ojos.



⚠ ADVERTENCIA Esta arma de aire comprimido puede causar serias lesiones o la muerte. Lea y siga las instrucciones del manual de propietario cuidadosamente. No cargue un proyectil en el arma de aire hasta que esté listo para disparar. Si usted carga el proyectil y luego decide no disparar, quítelo ya sea manualmente o disparando el arma hacia un blanco seguro. Un arma de aire descargada que tiene el “seguro” – ON SAFE es la más segura. Los accidentes suceden rápido, por favor maneje cuidadosamente el arma de aire.

Las armas de aire comprimido difieren en su operación y usted nunca está listo para disparar ningún arma de aire comprimido hasta que usted esté completamente familiarizado con ella. Lea el siguiente manual de propietario antes de iniciar operaciones.

Estos símbolos y palabras signos de seguridad, , , **AVISO**, marcan advertencias, precauciones, y avisos sobre esta manual de operaciones. Cuidadosamente sígalas por su propia seguridad y por la seguridad de otros.

⚠ ADVERTENCIA El faltar a cumplir las instrucciones y recomendaciones en el manual del propietario puede resultar en lesiones corporales incluyendo la cara, ojo y lesiones al oído, ceguera, sordera o la muerte.



**SE REQUIERE
PROTECCIÓN DE
LOS OJOS
USE SUS LENTES
DE DISPARAR**

Procedimientos de Operación

1. Revisando la Seguridad
2. Aprendiendo las Partes de Su Arma de Aire Comprimido
3. Operando bajo Seguridad
4. Instalando y Quitando las Cápsulas CO₂
5. Cargando y Descargando los Proyectiles
6. Apuntando y Disparando con Seguridad
7. Uso y Manejo de las Cápsulas de CO₂
8. Mantenimiento de su arma de aire
9. Solución de Problemas
10. Reparación/Servicio/Garantía



1. Repasando la Seguridad

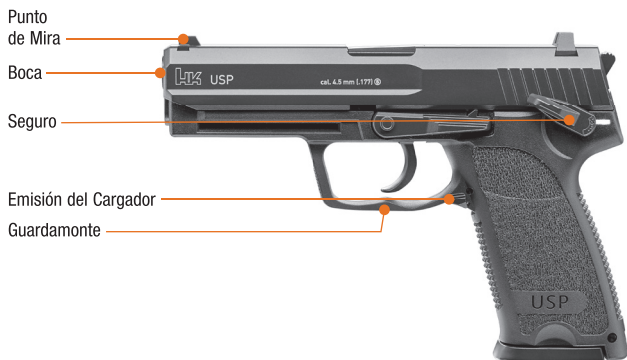
- Usted y otras personas con usted, DEBEN utilizar anteojos de seguridad para proteger sus ojos. Si usted utiliza anteojos de lectura, los lentes deben de estar certificados en resistencia a impactos o debe utilizar anteojos de seguridad hechos para colocar sobre los anteojos de lectura normales.
- Siempre apunte hacia una DIRECCIÓN SEGURA. Siempre mantenga la boca del arma de aire apuntando hacia una DIRECCIÓN SEGURA. UNA DIRECCIÓN SEGURA se define como siempre apuntar su arma de aire y/o la boca del arma de aire a una dirección segura, en la cual si fuera a disparar, no causaría ni lesiones ni daños. Contra lar adónde apunta en todo momento la boca del arma o el frente del cañón, es muy importante.
- Siempre mantenga su dedo fuera del gatillo y fuera del guardamonte hasta que esté listo para disparar.
- Nunca apunte el arma de aire a cualquier cosa que no intente disparar.
- Siempre trate al arma de aire como si está cargada y con el mismo respeto que una arma de fuego.
- Nunca mire al cañón de un arma de aire.
- Siempre mantenga el arma de aire “EN SEGURO” – ON SAFE hasta que esté listo para disparar.
- Siempre esté listo para ver si el arma de aire está “EN SEGURO” – ON SAFE y descargada cuando la agarre de otra persona o del lugar en donde estaba guardada.
- Use solamente el tamaño apropiado y tipo de proyectil como está marcado en el arma de aire.
- Nunca reutilice la munición.
- No dispare a las superficies duras o a la superficie de agua. El BB puede rebotar y golpear a alguien o a algo que no intentaba golpear.
- No dispare a objetos frágiles como las ventanas.
- Ponga el soporte en un lugar que será seguro si falla el soporte.
- Su soporte debe de revisarse por desgaste antes y después de cada uso. Todos los soportes están sujetos a desgastes y con el tiempo fallarán. Reemplace su soporte si la superficie se desgasta o daña o si ocurre un rebote.
- No intente desarmar o modificar su arma de aire. Las reparaciones no autorizadas o las modificaciones de la función de su arma de aire en cualquier manera pueden ser inseguras y anularán su garantía.
- Antes de guardar su arma de aire, asegúrese que está descargada, que no tiene la cápsula CO2 y que tiene el “SEGURO” – ON SAFE.
- Siempre guarde su arma de aire en un lugar seguro lejos de usuarios no autorizados y separadas de las municiones.

⚠️ ADVERTENCIA

No empuñe o muestre este producto en público – puede confundir a las personas y puede ser un crimen. La policía u otros pueden pensar que es un arma de fuego. Esto podría causar acciones agresivas que pueden conllevar a su muerte. No cambie la coloración y marcas para hacerla ver más como un arma de fuego.



2. Aprendiendo las Partes de Su Arma de Aire





⚠ ADVERTENCIA Asegúrese que el arma de aire comprimido esté siempre apuntando hacia una dirección segura. Nunca apunte el arma de aire comprimido hacia ninguna persona aún si está desmontada o descargada. Nunca apunte el arma de aire comprimido hacia algo que no intenta disparar. Siempre suponga y maneje el arma de aire comprimido como si estuviera cargada y lista para disparar.

3. Operando la Seguridad

⚠ PRECAUCIÓN

Como todos los artefactos mecánicos, el seguro de un arma de aire puede fallar. Aún cuando el seguro esté “EN SEGURO,” – ON SAFE, debe de continuar manejando el arma de aire con seguridad. Nunca apunte el arma de aire hacia algo que no intente disparar.



⚠ PRECAUCIÓN

Nunca cargue el cargador hasta que haya verificado que el arma de aire descargará CO₂ apropiamente. (Vea **Paso 4**. Instalando e Quitando la Cápsula de CO₂)

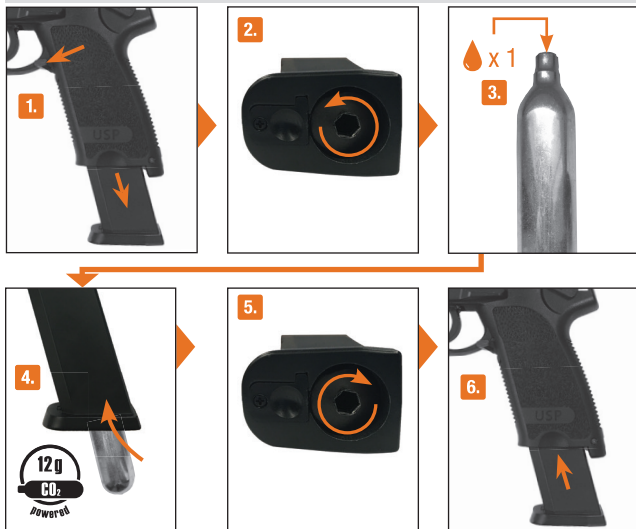
⚠ ADVERTENCIA Use solamente cápsulas CO₂ de 12g. Cualquier intento de usar otros tipos de cápsulas de gas puede ser extremadamente peligroso y puede resultar en serias lesiones o muerte. Los gases que no son CO₂ pueden resultar en una explosión o ruptura del arma de aire.



4. Instalando e Quitando la Cápsula de CO₂

⚠ PRECAUCIÓN

Mantenga las manos y cara lejos del escape del gas CO₂. Puede causar congelamiento si se permite que tenga contacto con la piel. Siempre asegúrese que la cápsula CO₂ esté vacía antes de intentar quitarla del arma de aire, quítela girando completamente el tornillo de perforación de la cápsula de gas en sentido contrario de las agujas del reloj hasta que ya no oiga más el escape de gas CO₂.



1. Coloque en MODO SEGURO (ON SAFE) el arma de aire (Vea **Paso 3**) y presione la palanca para remover el cargador.
2. Abra el tornillo perforador utilizando una llave allen.
3. Ponga una gota de Lubricante de Cámara RWS arriba de la puntita de la cápsula CO₂.
4. Insertar el cápsula de CO₂ tal y como mues tra la imagen.
5. Gire el tornillo para perforar la cápsula de CO₂ en dirección con las manecillas del reloj hasta que escuche la cápsula de CO₂ perforarse.
6. Introducir el cargador.

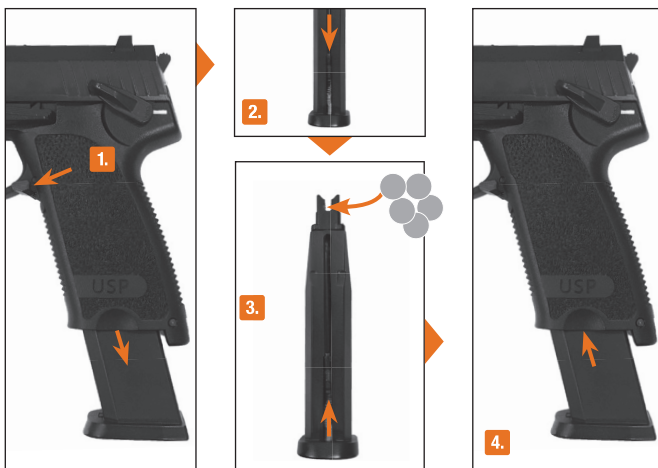
Si su arma de aire no hace un ruido de descarga de gas después de jalar el gatillo, el gas no está siendo descargado. En ese caso coloque el arma en MODO SEGURO "ON SAFE" (Vea **Paso 3**), remueva la culata y gire el tornillo perforador del CO₂ en dirección contraria a las manecillas de reloj hasta que escuche la cápsula de CO₂ ser perforada.



NOTA: Puede ocurrir una leve filtración de CO₂ hasta que el tornillo perforador esté apretado.

AVISO Nunca trate de forzar ninguna cápsula CO₂ en y fuera de lugar. No guarde su arma de aire con la cápsula CO₂ en ella. Si sabe que no estará usando su arma de aire por un periodo extenso de tiempo, vacíe la cápsula CO₂ y quítela del arma de aire.

5. Cargando y Descargando los BBs



1. Coloque el arma en MODO SEGURO "ON SAFE" (Vea Paso 3), apunte el arma en una DIRECCIÓN SEGURA, y presione el botón para soltar el cargador para removerlo.
2. Tire hacia abajo el seguidor y trabar.
3. Cargar los BBs. Con cuidado remueva el seguidor.
4. Con el arma todavía en MODO SEGURO "ON SAFE", inserte el cargador.



⚠ PRECAUCIÓN

Use solamente BBs de acero de calibre .177 (4,5 mm). No intente reusar BBs que han sido disparados o que están deformados. No utilice perdigones, dardos, rollos, o ningún otro objeto extraño porque puede causar lesiones a usted mismo o a alguien más, o puede dañar y/o atascar el arma de aire.



⚠ PRECAUCIÓN

Nunca asuma que porque el arma de aire no dispara más un proyectil y/o el cargador se ha quitado de la montura del agarrador que el proyectil no está metido en el cañón. Siempre trate al arma de aire como si estuviera cargada y con el mismo respeto que trataría a un arma de fuego.

IMPORTANTE: El disparar el arma de aire con muy poca presión de gas restante puede causar que un BB se atore en el cañón.

⚠ PRECAUCIÓN

Usted y otras personas con usted siempre deben de utilizar anteojos para proteger sus ojos. Siempre asegúrese de que la boca del arma apunta hacia una dirección segura.

Destrabando una munición atascada

- Asegúrese de que el arma de aire está en MODO SEGURO "ON SAFE" (Vea **Paso 3**).
- Retire el cargador de municiones presionando el botón del seguro del cargador y jalando hacia abajo hasta que salga totalmente de la empuñadura.
- Retire el cilindro de CO₂. (Vea **Paso 4**)
- Inserte una baqueta calibre .177/4.5 mm por el frente del cañón y cuidadosamente empuje la munición atascada hasta la recámara. El cañón podría dañarse e invalidarse la garantía si la medida de la baqueta utilizada no es la apropiada.
- Sostenga de manera vertical su arma de aire y sacúdala hasta que la munición caiga fuera de su arma.
- Si usted no es capaz de destrabar la munición siguiendo este procedimiento, no intente nada más. Llame al Teléfono de su centro de servicio (479) 646-4210 y consulte con el departamento técnico.

Destensar el martillo



⚠ PRECAUCIÓN

Su soporte debe de ser inspeccionado por desgaste antes y después de cada uso. Descontinúe su uso si la superficie del soporte muestra señales de falla. Siempre ponga el soporte en un lugar que será seguro si el soporte falla. Descontinúe el uso del soporte si el proyectil rebota.

NOTA: Muchos factores afectan la función y velocidad del arma de aire, incluyendo la marca del proyectil, lubricación, condición del cañón y la temperatura.



⚠️ ADVERTENCIA Usted y otros con usted deben siempre usar lentes para disparar para proteger sus ojos.

6. Apuntando y Disparando con Seguridad

⚠️ PRECAUCIÓN

La guía tiene movimiento hacia atrás y hacia adelante cuando la pistola de airsoft se dispara. Mantenga sus dedos y manos fuera de los extremos para evitar lastimarse.

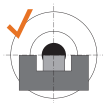


⚠️ PRECAUCIÓN

No dispare a las superficies duras o a las superficies de agua. Los proyectiles pueden rebotar y pegarle a alguien o a algo que usted no intentaba pegar.

No dispare a superficies frágiles tales como vidrios o espejos.

- Siempre apunte su pistola hacia una DIRECCIÓN SEGURA. Cuando usted esté seguro de su blanco y su valla trasera, y que el área alrededor del blanco está libre, coloque el arma en MODO NO SEGURO "OFF SAFE" (Vea **Paso 3**) y tire del gatillo para disparar.
- Siempre escoja su blanco cuidadosamente. Solamente se deben de usar blancos que no se puedan penetrar o que no causen rebotes.
- Su soporte debe de revisarse de desgastes antes y después de cada uso. Reemplace su soporte si la superficie está gastada o dañada, o si un rebote ocurre.
- La pistola de aire está apuntando correctamente cuando del punto de mira está en posición exactamente de la mira de atrás. La parte de arriba de la hoja del punto de mira debe de estar al mismo nivel con la parte de arriba del agujero en la mira de atrás. El blanco debe de parecer como que descansa en la parte de arriba del punto de mira.





⚠️ ADVERTENCIA Las cápsulas CO₂ pueden explotar a temperaturas arriba de 122° F. No las mutile o incinere. No las exponga al calor o guarde las cápsulas CO₂ a temperaturas arriba de 122° F.

⚠️ PRECAUCIÓN

Nunca intente reusar una cápsula de CO₂ para cualquier propósito.

Siempre revise para asegurar que el arma de aire está descargada cuando la agarre de donde estaba guardada o de otra persona.

7. Uso y Manejo de las Cápsulas de CO₂

Es posible que ciertas condiciones puedan afectar una cápsula CO₂, lo cual puede impactar su función apropiada. Estas condiciones incluyen el uso, mantenimiento y almacenamiento a temperaturas que son más altas o bajas que las temperaturas al aire libre (60°-80° F/16°-27° C). Otra condición puede ser cuando el arma se dispara rápidamente.

1. Las temperaturas altas pueden aumentar la presión en la cápsula de CO₂ y también dentro del arma, causando presión de manejo más alta que lo estándar. Este exceso de presión puede causar mal funcionamiento del arma o daño permanente. Las temperaturas máximas de almacenamiento o de operación nunca deben de exceder 122°F (50°C). Esta temperatura puede ser lograda si deja el arma directamente bajo la luz del sol en un día soleado. Aunque, para asegurar la apropiada operación del arma, no la exponga a temperaturas altas o a luz del sol directa por períodos largos de tiempo. De otra manera, la cápsula de CO₂ se podría recalentar y explotar, lo cual dañaría el arma de aire y causar lesiones o muerte a las personas alrededor de ella.
2. El disparo rápido y consecutivo puede producir una disminución de la temperatura del arma, como también de la cápsula de CO₂. Esto puede resultar en velocidades bajas del proyectil y puede aún bajar la presión del gas lo suficiente como para que la pistola no llegue a disparar. Esta condición puede ser especialmente aparente cuando se dispara en un clima frío y puede ser evitado permitiendo más tiempo entre los disparos. Ésto permite que el gas aumente en temperatura y presión y produzca las velocidades normales.
3. Durante disparo rápido, la velocidad de la boca de cada disparo disminuirá. Ésto puede afectar la precisión del disparo y obtendrá menos disparos por cada cápsula CO₂.
4. El cuidado se debe de ejercer para asegurar que el arma no se dispara con una cápsula de CO₂ que está baja en presión. Aquí hay algunos indicadores de presión insuficiente:
 - A) El sonido del disparo no es tan fuerte como cuando la cápsula está llena.
 - B) El proyectil pega el blanco, pero en una posición más baja que la que pegaría con una cápsula CO₂ llena (eso es que la velocidad del disparo ha caído).



⚠️ ADVERTENCIA Un arma de aire comprimido que no se maneje apropiadamente puede ser peligrosa. Debe de mantenerse segura del uso de alguien hasta que se repare o destruya. No trate de desarmar el arma de aire comprimido. Es difícil de reensamblar y el desarmado y reensamblaje inapropiado puede causar lesiones o la muerte.

⚠️ PRECAUCIÓN

Antes de cualquier cuidado o mantenimiento, siempre asegúrese que su arma de aire comprimido esté "en seguro" (ON SAFE) y descargado. Manténgalo apuntando hacia una dirección segura. Es muy importante mantener apropiadamente su arma de aire comprimido.

8. Mantenimiento de su arma de aire

Con cuidado e inspecciones de rutina su arma de aire puede proveer muchas sesiones de disparo para que disfrute. El abuso, negligencia y exposición continua a los elementos impedirá el funcionamiento de cualquier arma de aire. Para asegurar la función apropiada continua, aplique de 1 a 2 gotas de aceite RWS Resorte de Cilindro (Spring Cylinder) hasta que todas las partes tales como el seguidor BB, el botón perforador de la cápsula de gas y la bisagra del gatillo (1,000 tiros).

AVISO Los aceites que contienen ácido o resina pueden dañar el sello de la recámara, el sello de compresión, y posiblemente el acabado de arma de aire comprimido.

9. Solución de Problemas	Función de disparo inadecuado	El arma de aire no funciona	Baja velocidad
Cápsula CO ₂ está vacía	●	●	●
Cápsula CO ₂ está defectuosa		●	
Temperaturas extremas	●		●
Proyectiles incorrectos	●	●	●

10. Reparación/Servicio/Garantía

No regrese producto defectuoso o dañado al vendedor. Si su arma de aire necesita reparación, llame a Umarex USA al (479) 646-4210 y pregunte por el Departamento de Servicio o visite www.umarexusa.com. ¡NO INTENTE DESARMARLA! Su arma de aire requiere herramientas y partes especiales para repararla. Cualquier desarme o modificación no hecha por Umarex USA invalidará la garantía.



⚠ PRECAUCIÓN

Los componentes de su arma de aire comprimido fueron fabricados y confeccionados para proporcionar óptimas funciones. Cualquier modificación o alteración puede causar un mal funcionamiento, invalidará su garantía y puede hacer que sea inseguro su uso. Cualquier cambio en su función (tales como una fuerza de jale baja del gatillo o un recortamiento de recorrido del gatillo), indica posibles modificaciones, alteraciones y/o uso. Tales armas de aire comprimido deben de ser inspeccionadas, reemplazadas o apropiadamente reparadas por solamente el personal calificado de Umarex para asegurar que su función no ha sido afectada.

GARANTÍA LIMITADA DE 90 DÍAS

Este producto está garantizado al consumidor minorista por 90 días de la fecha de compra por defectos de material y confección y no es transferible.

LO QUE TIENE COBERTURA: Partes reemplazables y mano de obra.

LO QUE NO TIENE COBERTURA: Los cargos de envío a Umarex USA por producto defectuoso y daños causados por abuso o incumplimiento en realizar el mantenimiento normal y también cualquier otro cargo. Daños resultantes o cargos incidentales, incluyendo daños a la propiedad. Algunos estados no permiten la exclusión o limitación de los daños incidentales o resultantes, por lo tanto, las limitaciones o exclusiones no se pueden aplicar a usted.

RECLAMOS DE GARANTÍAS: Los Reclamos de Garantías y Reparaciones son solamente para los clientes de Estados Unidos y Canadá. Llame a Umarex USA (479) 646-4210 y pregunte por el Departamento de Servicio. Si se determina que es necesaria una devolución, se le dará un Número de Devolución Autorizado. Escriba este número en negritas en la caja y devuelva el producto prepagado a Umarex USA (a los clientes canadienses se les proporcionará una dirección de una Instalación Canadiense de Reparaciones autorizada). Se debe incluir en el paquete su nombre, dirección, número de teléfono y una nota explicando el defecto encontrado. Para realizar una devolución debe traer la copia de la factura fechada original de caja. Clientes de EEUU, incluyan un cheque por pagar a Umarex USA por la cantidad que les proporcionó el departamento de servicios de Umarex USA para cubrir los gastos de envío y manejo.

GARANTÍAS IMPLICADAS: Cualquier garantía implicada incluyendo las garantías implicadas de comerciabilidad y adaptabilidad por cualquier propósito, están limitadas en duración de 90 días después de la fecha de compra. **ALGUNOS ESTADOS NO PERMITEN LIMITACIONES EN CUANTO A LA DURACIÓN DE UNA GARANTÍA IMPLICADA, POR LO TANTO, LAS LIMITACIONES ANTERIORES NO SE PUEDEN APLICAR A USTED. A LA MEDIDA QUE CUALQUIER ESTIPULACIÓN DE ESTA GARANTÍA ESTÉ PROHIBIDA POR LEY FEDERAL, ESTATAL O MUNICIPAL LA CUAL NO SE PUEDE INVALIDAR, NO SERÁ APLICABLE. ESTA GARANTÍA LE DA DERECHOS ESPECÍFICOS Y USTED PUEDE TAMBIÉN TENER OTROS DERECHOS QUE VARIAN DE ESTADO A ESTADO Y DE PAÍS A PAÍS.**

SPECIFICATIONS

Model	HK® USP®
Action	Single/Double
Power Source	CO ₂
Caliber / Ammo	.177 (4.5 mm) Steel BB
Capacity	16 rounds (BBs)
Velocity	325 FPS
Sights	Fixed
Safety	Manual
Danger distance	275 yds
Weight	2.15 lbs.
Overall length	7.75 in.
Barrel length	4 in.

CARACTÉRISTIQUES

Modèle	HK® USP®
Action	Simple/Double
Système	CO ₂
Calibre / Projectiles	0,177 (4,5 mm) projectiles d'acier
Chargeur du Capacité	16 coups (BBs)
Vélocité	99 m/s
Mires	Fixe
Sûreté	Manuel
Distance Dangereuse	275 verges
Poids	0,97 kg
Longueur	19,68 cm
Longueur du canon	10,16 cm

ESPECIFICACIONES

Modelo	HK® USP®
Acción	Sencilla/Doble
Fuente de Poder	Gas Carbónico (CO ₂)
Calibre / Munición	.177 (4.5 mm) Acero
Capacidad	16 tiros (BBs)
Velocidad	99 m/s
Miras	Fijas
Seguridad	Manual
Distancia de Peligro	275 yardas
Peso	2.15 lbs. (0.97 kg)
Longitud	7.75 in. (19,68 cm)
Longitud del cañón	4 in. (10,16 cm)

UMAREX HOLDS THE WORLDWIDE EXCLUSIVE
 HK-TRADEMARK AND EXTERIOR DESIGN
 COPY LICENSE FOR USE WITH THIS PRODUCT,
 GRANTED BY HECKLER & KOCH GMBH.



UX **UMAREX**
 AIRGUNS

Distributed by / Distribué par / Distribuido por:
UMAREX USA, INC.
 7700 Chad Colley Boulevard
 Fort Smith, AR 72916
www.UmarexUSA.com

We reserve the right to make color and design changes and technical improvements. No responsibility is accepted for printing errors or incorrect information.

Sauf modifications de la couleur et du design ainsi que des améliorations techniques, erreurs d'impression et erreur. Toutes les données sont fournies sans garantie.

Nos reservamos el derecho para realizar cambios al color y diseño y mejoras técnicas. No se acepta responsabilidad por errores de impresión o información incorrecta.